



**CURATA**<sup>®</sup>  
INDUSTRIES

Think Creative  
Think Curata



■ EXCLUSIVE QUARTZ KITCHEN SINK

## COMPANY PROFILE

Here we **Curata** family warmly welcomes you to witness the next Generation of Kitchen Sinks with Fascinating bonding of Art & Technology.

We will be glad to Serve your the absolute collection of composite Quartz Kitchen Sinks.

### **Vision:**

Our Perception is to provide this art of excellence to whole world, with our innovative bright vision by working consciously in Research & Development.

EXCLUSIVE QUARTZ  
KITCHEN SINK



# MATERIAL FEATURES



Unsurpassed Ease of Cleaning



Unsurpassed Scratch Resistance



Unsurpassed Resistance to Breakage



Hygiene+plus



100% Acid Resistant



100% Non-fading

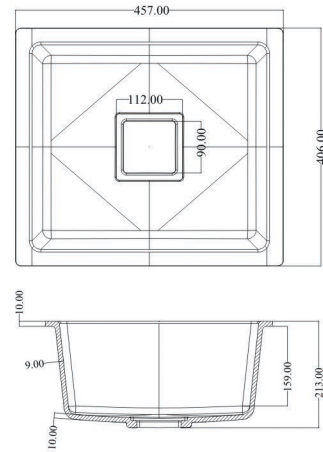
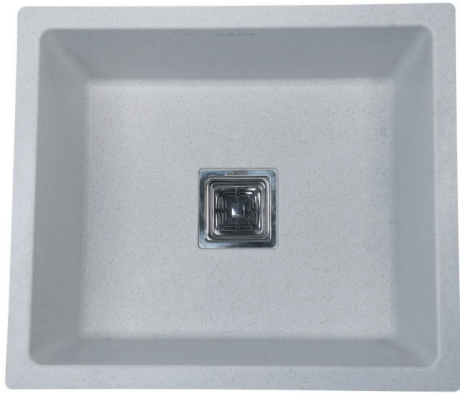


Unsurpassed Resistance up to 280 °c



100% Food Safe

**DIMENSIONS**



**OPAL**

**SINGLE BOWL**

**INFORMATION**

Size	16x18 Inch
Weight	8.0 Kgs. (Approx)

**INSTALLATION**



Top Mount



Under Mount

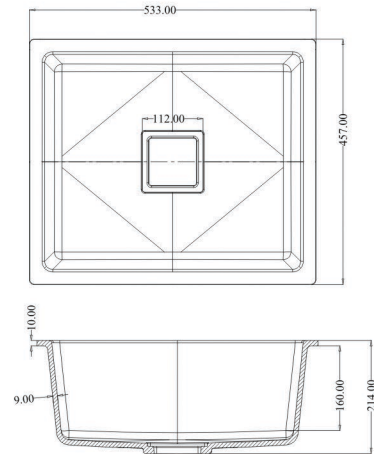


Flush Mount





**DIMENSIONS**



**ARRAY**

SINGLE BOWL

**INFORMATION**

Size	18x21 Inch
Weight	10 Kgs. (Approx)

**INSTALLATION**



Top Mount

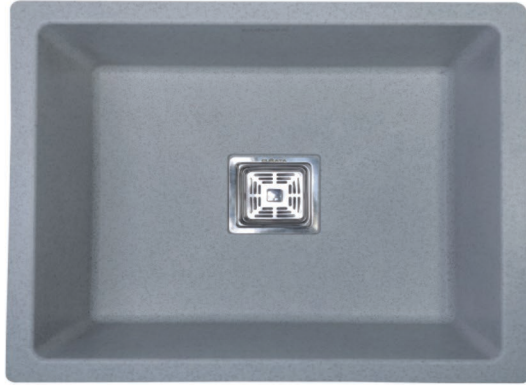


Under Mount

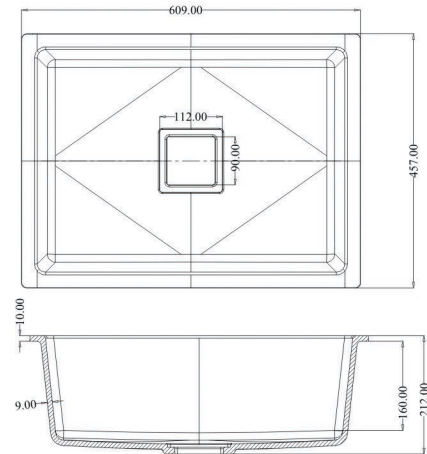


Flush Mount





**DIMENSIONS**



**LOTUS**

SINGLE BOWL

INFORMATION

Size	18x24 Inch
Weight	11 Kgs. (Approx)

**INSTALLATION**



Top Mount



Under Mount

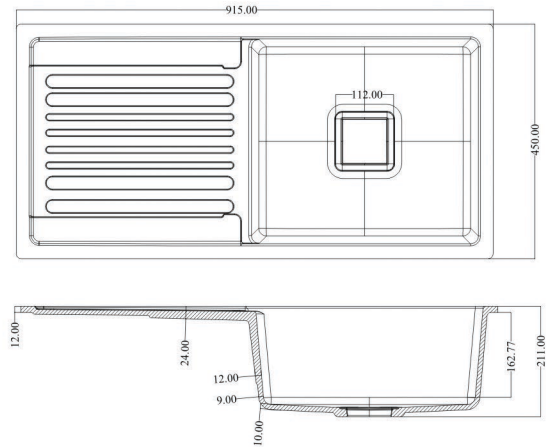


Flush Mount





**DIMENSIONS**



**PEARL**

SINGLE BOWL  
WITH DRAIN BOARD

**INFORMATION**

Size	18x36 Inch
Weight	14.5 Kgs. (Approx)

**INSTALLATION**



Top Mount



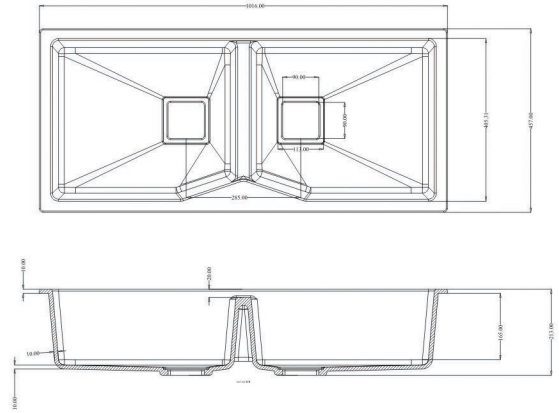
Under Mount



Flush Mount



**DIMENSIONS**



**DIVINE**      DOUBLE BOWL

**INFORMATION**

Size	18x40 Inch
Weight	21 Kgs. (Approx)

**INSTALLATION**



Top Mount



Under Mount



Flush Mount



■ **GRANITE SERIES**



Granite Red



Granite White



Granite Grey



Granite Yellow

■ **METALLIC SERIES**



Black



Grey



White



Brown

■ **SPECIAL METALLIC COLOURS**



Red



Yellow



Green

**FEATURES OF QUARTZ KITCHEN SINK**



Easy to Clean



Stain Resistant



Ever Lasting



Hygienic



Heat Resistant



Range of Colors



Certified Quality



High Durability

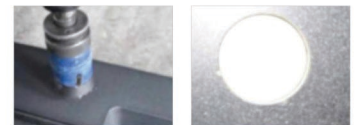


Reversible



Shine Lock Technology

**INSTALLATIONS**



**DRILLING TAP HOLE**

Invert the Sink, use the marking to Drill the Hole with Wood Cutting Bit

**Disclaimer:**

The Colours / Shade shown of sinks in this catalogue are purely illustrative and limited to printing process. Please refer actual sample before final selection. In case of any complaint, it should be brought to our Dealer notice before laying the sink. All sizes/prices are subject to change without prior notice. Please Refer MM size before Installation. All specifications are approximate and can vary in actual product. All Product shown is identical and may vary from the actual product. This catalogue super seeds all previous catalogues. All products shown are not part of standard offering & props depicted are for aesthetics purpose only. Subject to Morbi (India) Jurisdiction.



\*Warranty applied as per Warranty Card



**Reg. Office:**

Ground Floor, Shop No. 72-73,  
Shakti Chamber - 1, 8-A, National Highway,  
Morbi - 2, Gujarat - INDIA.

+91 99255 22288 / +91 88660 03350

**CURATA INDUSTRIES LLP**

Survey No. 70 P1 / P2, Plot No. - 2,  
Nr. Denstar Minerals, At. Pipli,  
Morbi - 363 642, Gujarat - INDIA.

+91 75675 18544 / +91 96013 81127

www.curataindustries.com

curataindustries.com@gmail.com

Curataindustriesllp

@curata\_industries\_llp



ARTMAN • +91 97127 02280

